

1 AUDIOVISUAL VIDEO FLOW  
 401 NO SCALE

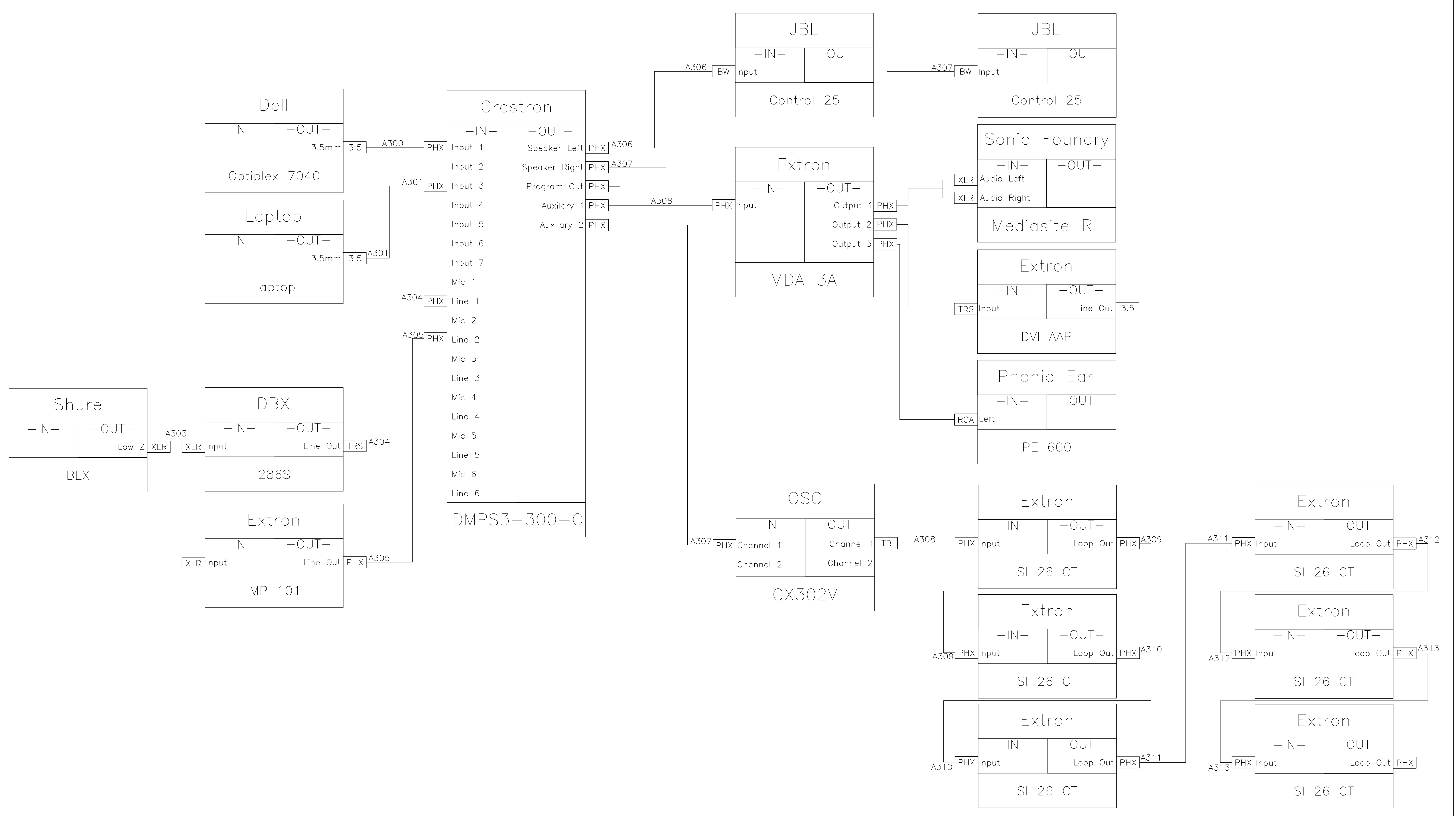
REV.	DATE	APPROV.	STATUS	DESCRIPTION
1				
2				
3				
4				
5				
6				
7				
8				
9				
10				

Project: NORTH CAROLINA STATE UNIVERSITY  
 CLASSTECH STANDARD  
 Drawing Title: SINGLE LINE DIAGRAMS  
 AUDIO, VIDEO, CONTROL, NETWORK

Scale: NONE  
 Date: 2017-2018  
 Drawn by: BRENNAN WATSON  
 Checked by:

Project Number:

Drawing # AV-401



1 AUDIOVISUAL AUDIO FLOW  
402 NO SCALE

REV.	DATE	APPROV.	STATUS	DESCRIPTION
1				
2				
3				
4				
5				
6				
7				
8				
9				
10				

Project: NORTH CAROLINA STATE UNIVERSITY  
CLASSTECH STANDARD  
Drawing Title: SINGLE LINE DIAGRAMS  
AUDIO, VIDEO, CONTROL, NETWORK

Scale: NONE  
Date: 2017-2018  
Drawn by: BRENNAN WATSON  
Checked by:

Project Number:

Drawing # AV-402



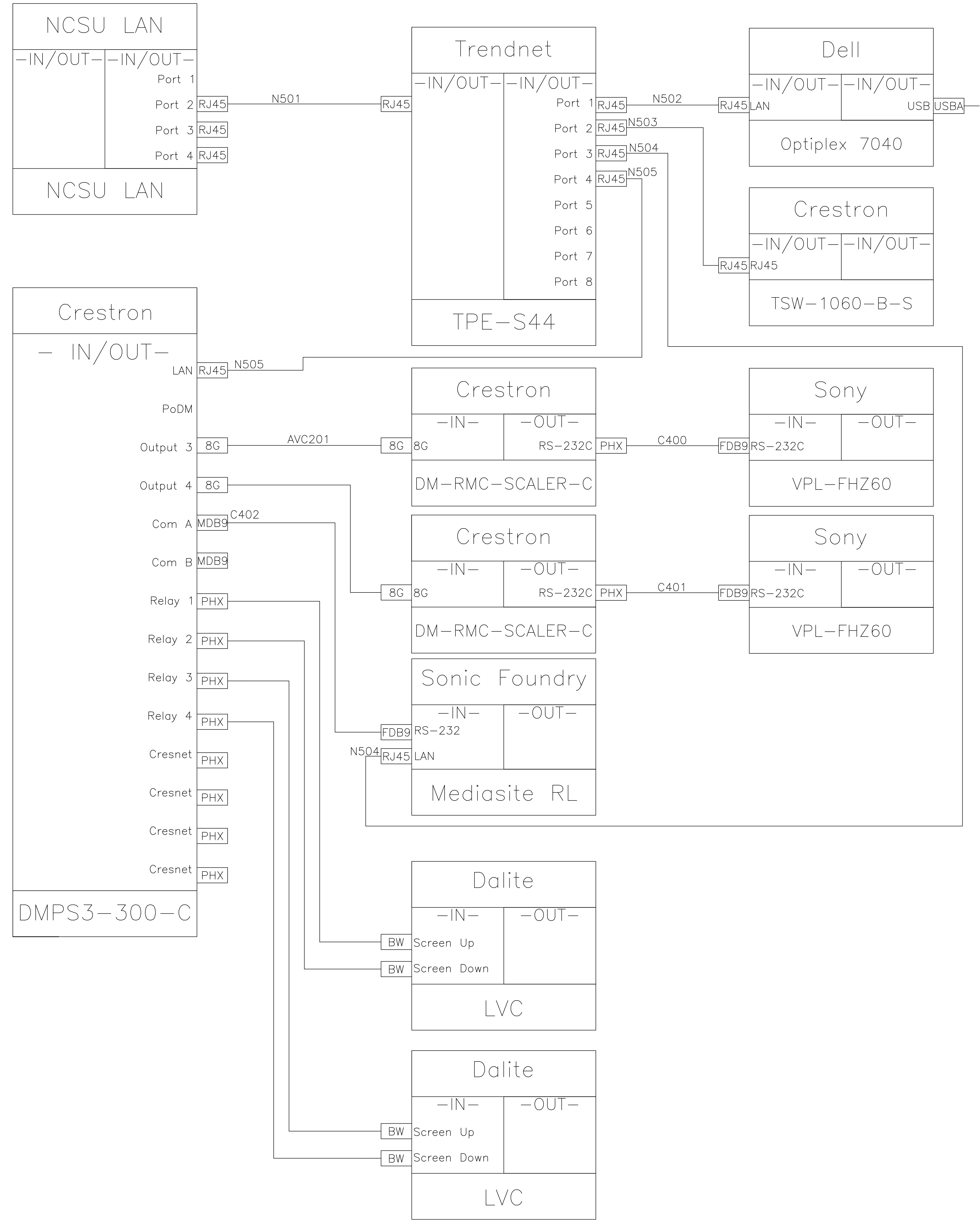
NORTH CAROLINA STATE UNIVERSITY

OFFICE OF INFORMATION TECHNOLOGY  
CLASSTECH

2620 HILLSBOROUGH ST

PH. 919.515.8448

**NC STATE UNIVERSITY**



1 AUDIOVISUAL CONTROL FLOW  
403 NO SCALE

REV.	DATE	APPROV.	STATUS	DESCRIPTION
1				
2				
3				
4				
5				
6				
7				
8				
9				
10				

Project: NORTH CAROLINA STATE UNIVERSITY  
CLASSTECH STANDARD

Drawing Title: SINGLE LINE DIAGRAMS  
AUDIO, VIDEO, CONTROL, NETWORK

Scale: NONE  
Date: 2017-2018  
Drawn by: BRENNAN WATSON  
Checked by:

Project Number:

Drawing # AV-403

CONSTRUCTION