

1 AUDIOVISUAL VIDEO FLOW

 401 NO SCALE

REV.	DATE	APPROV.	STATUS	DESCRIPTION
1				
2				
3				
4				
5				
6				
7				
8				
9				
10				

Project: NORTH CAROLINA STATE UNIVERSITY
 CLASSTECH STANDARDS

 Drawing Title: SINGLE LINE DIAGRAMS
 AUDIO, VIDEO, CONTROL, NETWORK

Scale: NONE

 Date: 2017-2018

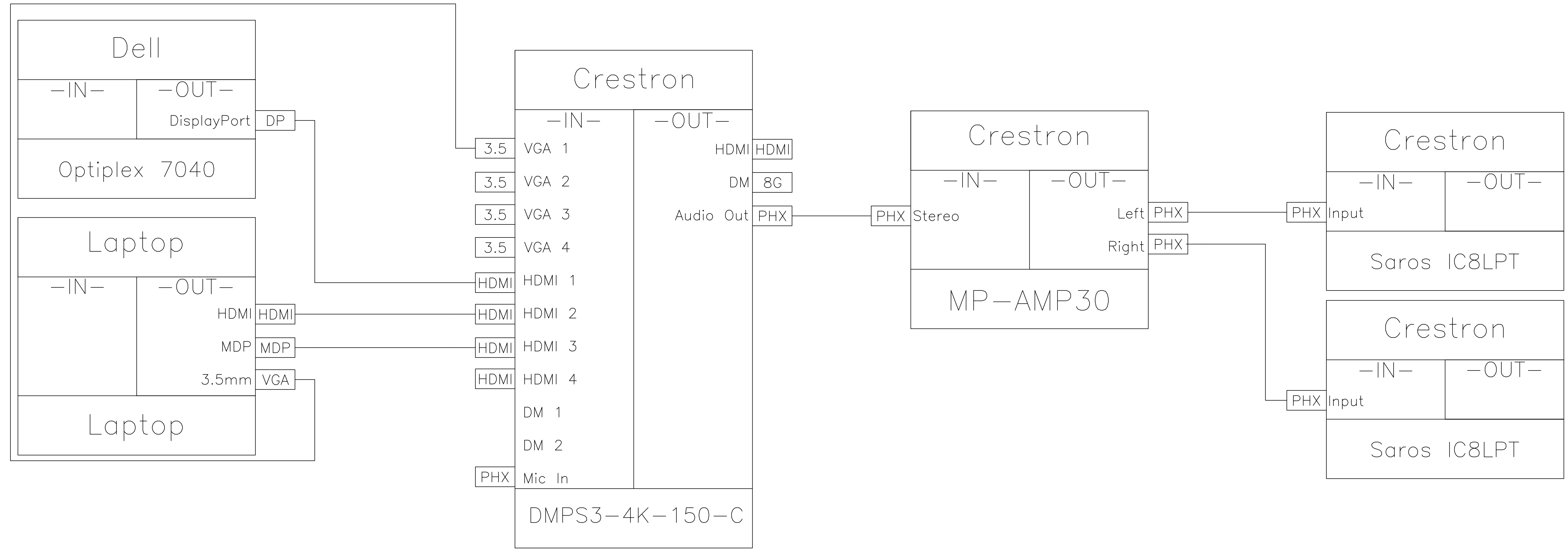
 Drawn by: BRENNAN WATSON

 Checked by:

Project Number:

Drawing #

 AV-401



1 AUDIOVISUAL AUDIO FLOW
402 NO SCALE

REV.	DATE	APPROV.	STATUS	DESCRIPTION
1				
2				
3				
4				
5				
6				
7				
8				
9				
10				

Project: NORTH CAROLINA STATE UNIVERSITY
 CLASSTECH STANDARDS
 Drawing Title: SINGLE LINE DIAGRAMS
 AUDIO, VIDEO, CONTROL, NETWORK

Scale: NONE
 Date: 2017-2018
 Drawn by: BRENNAN WATSON
 Checked by:

Project Number:

Drawing #
 AV-402



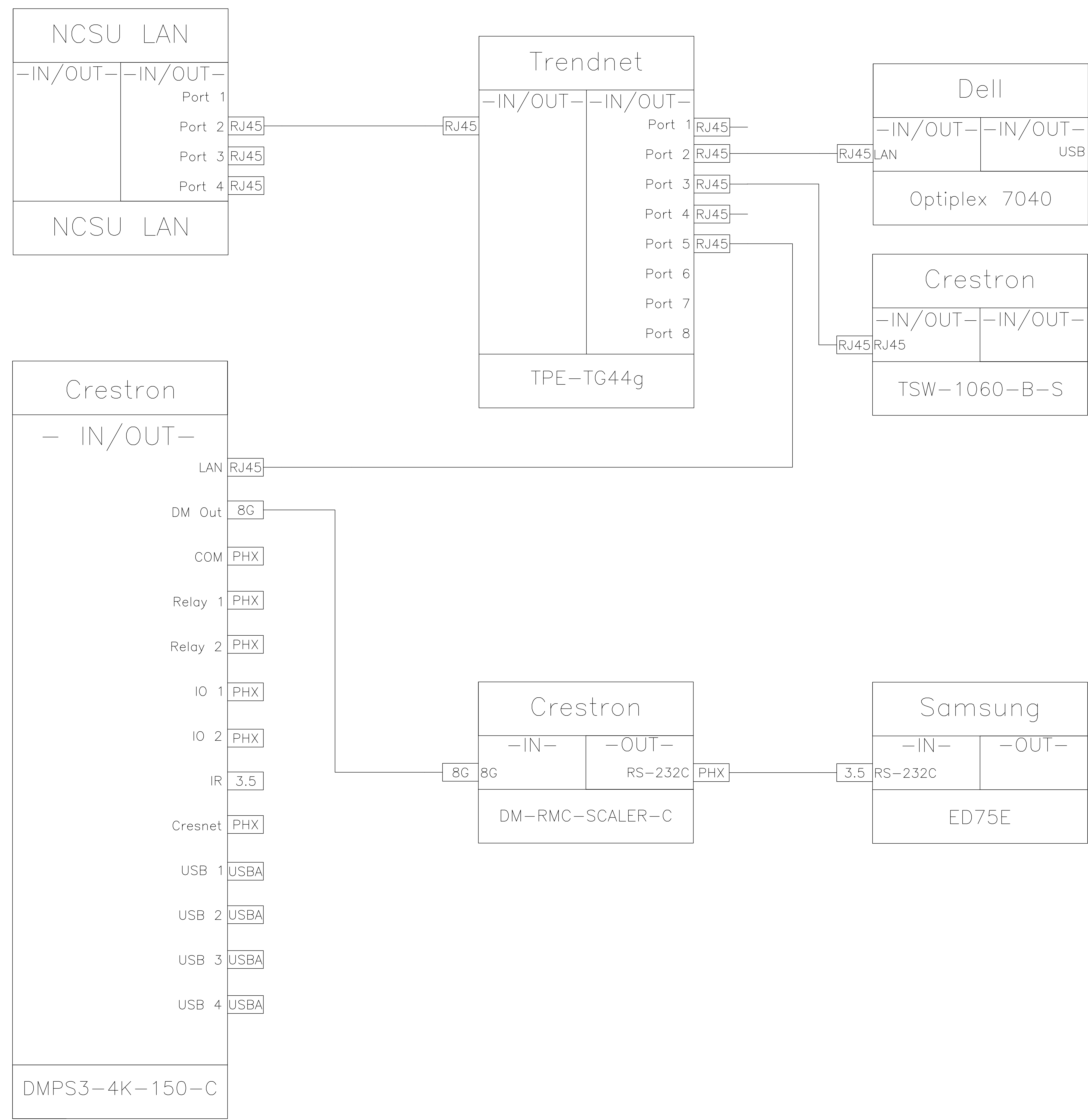
NORTH CAROLINA STATE UNIVERSITY

OFFICE OF INFORMATION TECHNOLOGY CLASSTECH

2620 HILLSBOROUGH ST

PH. 919.515.8448

NC STATE UNIVERSITY



1 AUDIOVISUAL CONTROL FLOW
403 NO SCALE

REV.	DATE	APPROV.	STATUS	DESCRIPTION
1				
2				
3				
4				
5				
6				
7				
8				
9				
10				

Project: NORTH CAROLINA STATE UNIVERSITY
CLASSTECH STANDARDS

Drawing Title: SINGLE LINE DIAGRAMS
AUDIO, VIDEO, CONTROL, NETWORK

Scale: NONE
Date: 2017-2018
Drawn by: BRENNAN WATSON
Checked by:

Project Number:

Drawing # AV-403

CONSTRUCTION